

# Introduction



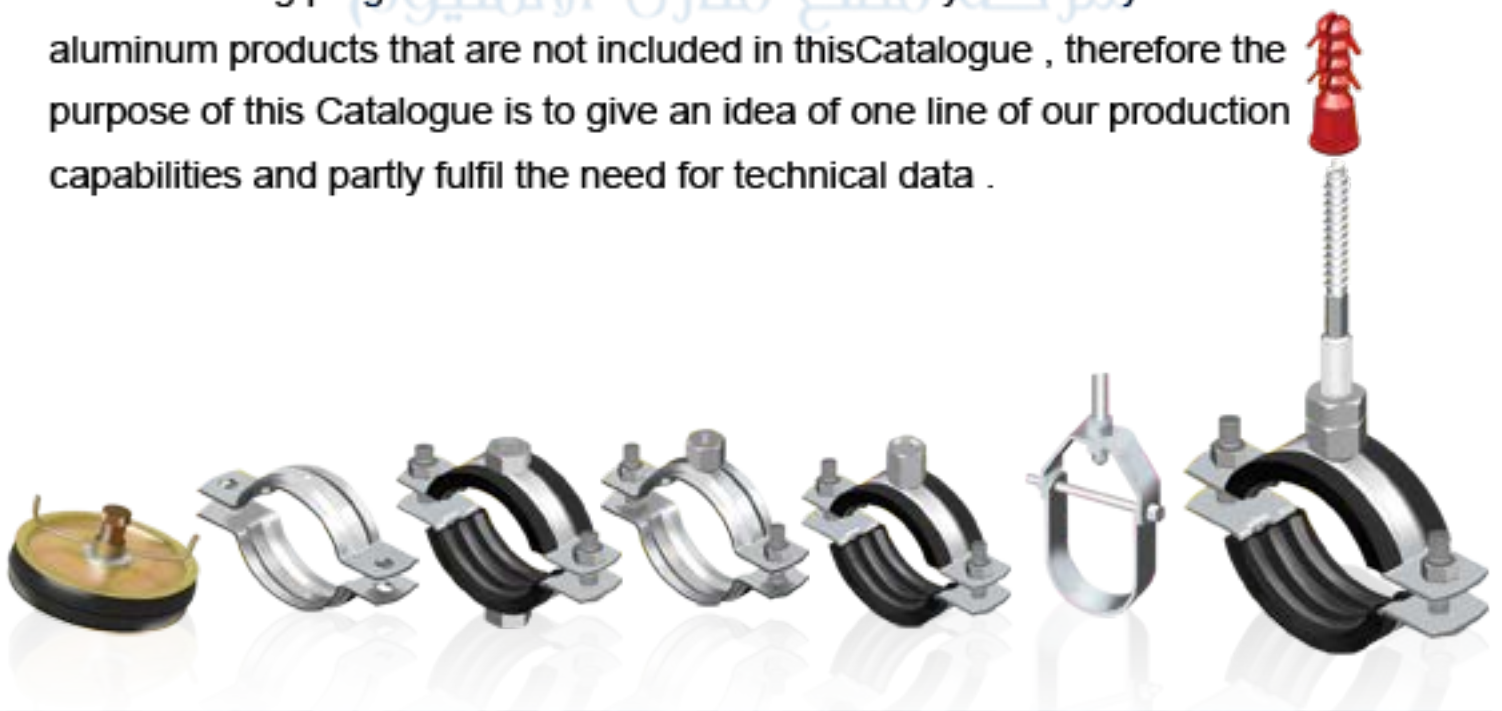
Aluminum Houses Factory - Pipe clamps and Test Plugs Division - was incorporated in 2007. From the beginning, to satisfy our customers increasing demands, we have continuously increased our quality and broadened.

Aluminum Houses Factory is selling all its production to " Saudi Arabia, Gulf, Jordan and Yemen markets.

Within this short period, we have a well deserved and respected name in those markets, with our 3000 sqm. closed area premises, production strength achieved through inhouse technology, organization in lieu of international standards.

We wanted to show our commitment and responsibilities to our valuable customers with this Catalogue in your hands. The pipe clamps and test plugs in this catalogue covers only one division of Aluminum Houses Factory products.

Manufacturing program of Aluminum Houses Factory has many different aluminum products that are not included in this Catalogue, therefore the purpose of this Catalogue is to give an idea of one line of our production capabilities and partly fulfil the need for technical data.

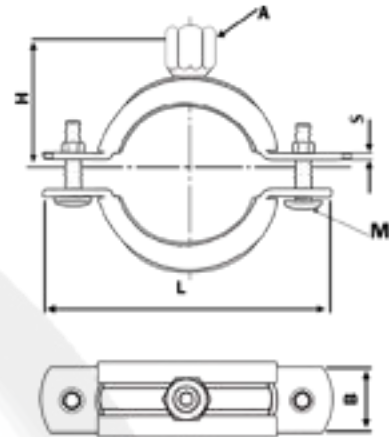






# Standard Pipe Clamp With Rubber Profile & Combi Nut (M8 / M10) Screw (M6)

- Used for hanging pipes to the walls ceilings and floors (vertical/horizontal).
- EPDM seal for .
  - Noise reduction level up to 15 dB according to DIN4109 .
  - Vibration reduction .
  - Partial compensation of thermal expansion .
- Easy and safe assembly .
- Electro galvanized against corrosion protection (Plating thickness 8-10micron).
- Hanging Type is M8 / M10 combi Nut.



Size (Inch)	Breaking Load (KN)	Recommended Load (KN)
1/2" - 1"	3.9	1.30
1 1/4" - 2"	4.8	1.60
2 1/2" - 3"	6.9	2.3
4" - 8"	7.8	2.6

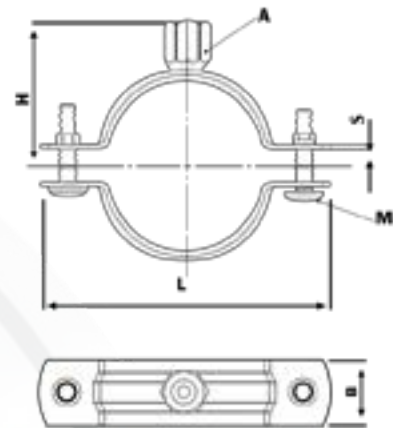
Code	Size (Inch)	Clamping Range (mm)	L (mm)	H (mm)	M	S x B (mm)	A	Quantity-Box	Weight-Box
RCL 020	1/2"	20 - 24	62.5	36	M6	1.5 x 20	M8/10		
RCL 025	3/4"	25 - 28	68.5	39	M6	1.5 x 20	M8/10		
RCL 032	1"	32 - 35	76	42.5	M6	1.5 x 20	M8/10		
RCL 040	1 1/4"	39 - 46	91.5	47	M6	1.5 x 20	M8/10		
RCL 050	1 1/2"	48 - 53	99	50.5	M6	1.5 x 20	M8/10		
RCL 063	2"	59 - 66	112	57	M6	1.5 x 20	M8/10		
RCL 075	2 1/2"	74 - 80	134	66	M6	2 x 25	M8/10		
RCL 089	3"	87 - 94	146.5	71.5	M6	2 x 25	M8/10		
RCL 110	4"	110 - 116	173	85	M6	2.5 x 25	M8/10		
RCL 141	5"	135 - 143	199	98	M6	2.5 x 25	M8/10		
RCL 160	6"	162 - 170	227	110.5	M6	2.5 x 25	M8/10		
RCL 200	8"	207 - 219	280.7	138	M6	2.5 x 25	M8/10		





# Standard Pipe Clamp Without Rubber Profile & Combi Nut (M8 / M10) Screw (M6)

- Used for hanging pipes to the walls ceilings and floors (vertical/horizontal).
- Easy and safe assembly .
- Electro galvanized against corrosion protection (Plating thickness 8-10micron).
- Hanging Type is M8 / M10 combi Nut.



Size (Inch)	Breaking Load (KN)	Recommended Load (KN)
1/2" - 1"	3.9	1.3
1 1/4" - 2"	4.8	1.6
2 1/2" - 3"	6.9	2.3
4" - 8"	7.8	2.6

Code	Size (Inch)	Clamping Range (mm)	L (mm)	H (mm)	M	S x B (mm)	A	Quantity-Box	Weight-Box
RCLG 020	1/2"	18 - 23	54.5	32	M6	1.5 x 20	M8/10		
RCLG 025	3/4"	27 - 31	62.5	36	M6	1.5 x 20	M8/10		
RCLG 032	1"	32 - 37	68.5	39	M6	1.5 x 20	M8/10		
RCLG 040	1 1/4"	39 - 44	76	42.5	M6	1.5 x 20	M8/10		
RCLG 050	1 1/2"	46 - 54	91.5	47	M6	1.5 x 20	M8/10		
RCLG 063	2"	54 - 61	99	50.5	M6	1.5 x 20	M8/10		
RCLG 075	2 1/2"	75 - 82	125	62	M6	2 x 25	M8/10		
RCLG 089	3"	83 - 89	134	66	M6	2 x 25	M8/10		
RCLG 110	4"	110 - 117	159.5	79.5	M6	2.5 x 25	M8/10		
RCLG 141	5"	137 - 143	192	94.5	M6	2.5 x 25	M8/10		
RCLG 160	6"	159 - 167	215	106	M6	2.5 x 25	M8/10		
RCLG 200	8"	218 - 226	280.7	138	M6	2.5 x 25	M8/10		

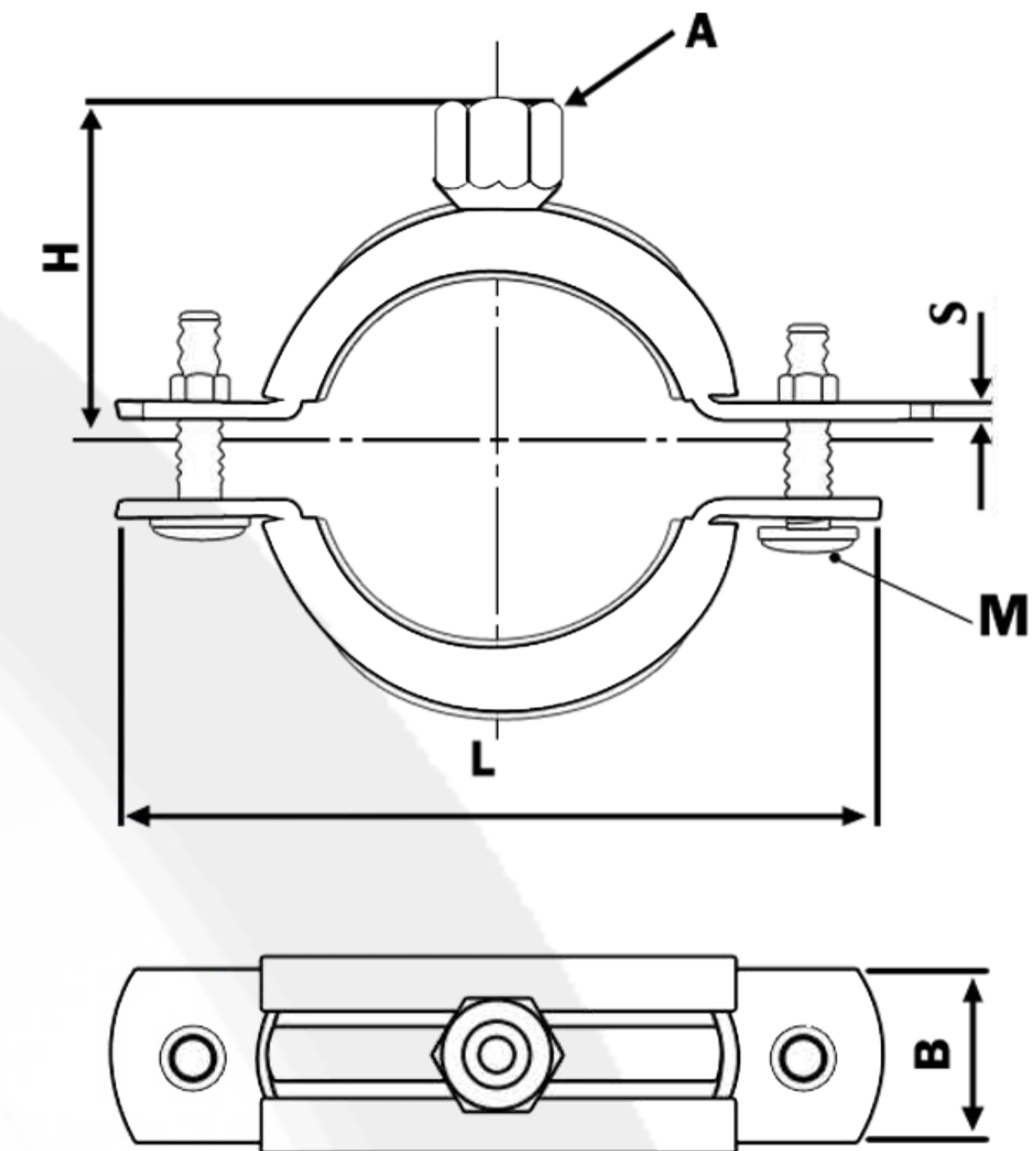
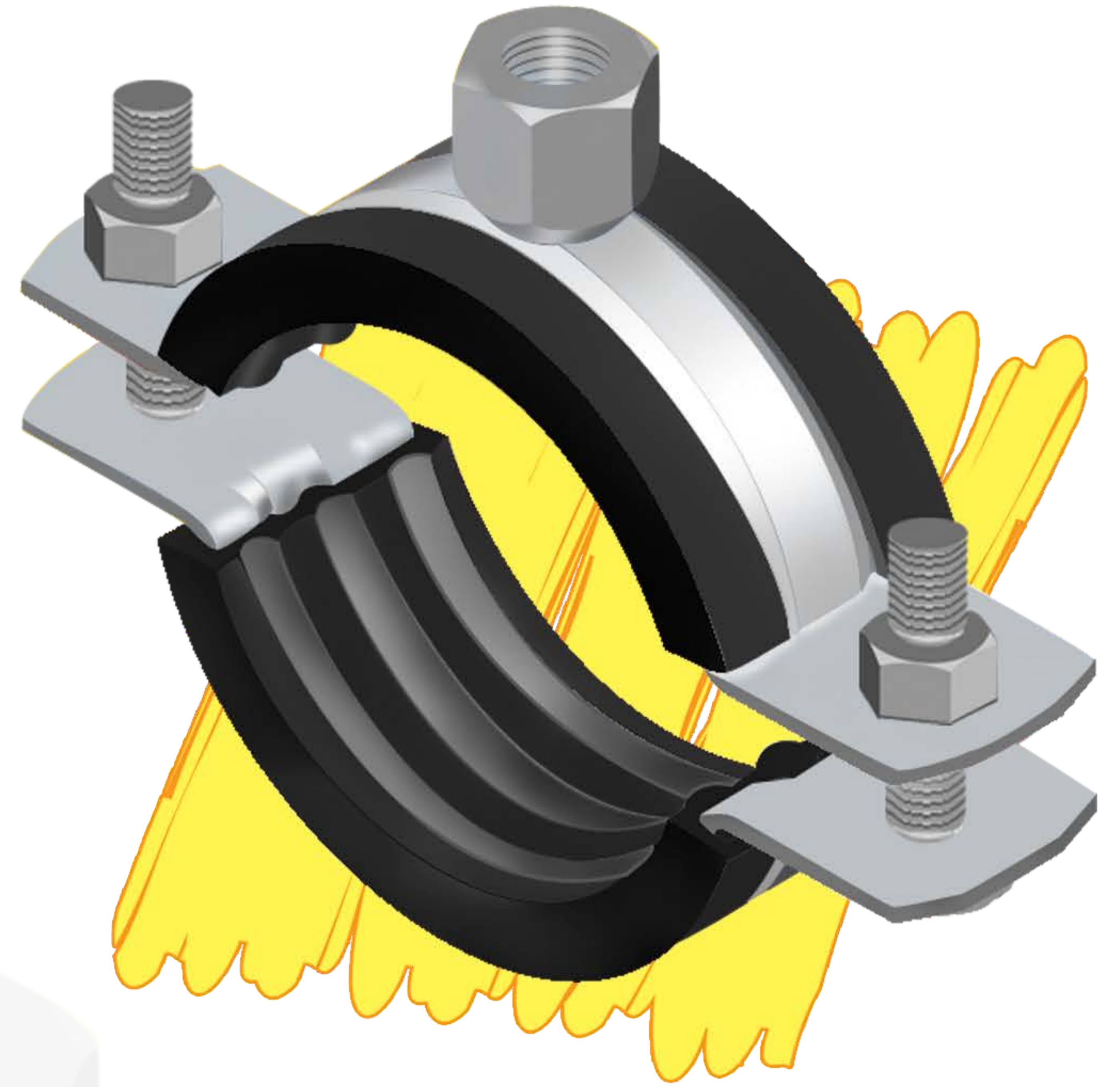




# Standard Pipe Clamp With Rubber Profile

With Nut (M8 or M10)

- Used for hanging pipes to the walls ceilings and floors (vertical/horizontal).
- EPDM seal for .
  - Noise reduction level up to 15 dB according to DIN4109 .
  - Vibration reduction .
  - Partial compensation of thermal expansion .
- Easy and safe assembly .
- Electro galvanized against corrosion protection (Plating thickness 8-10micron).
- Hanging Type is M8 or M10 Nut.



Size (Inch)	Breaking Load (KN)	Recommended Load (KN)
1/2" - 1"	3.90	1.30
1 1/4" - 2"	4.80	1.60
2 1/2" - 3"	6.90	2.30
4" - 8"	7.80	2.60

Code	Size (Inch)	Clamping Range (mm)	L (mm)	H (mm)	M	S x B (mm)	A	Quantity-Box	Weight-Box
RCL01020	1/2"	20 - 24	62.5	28	M6	1.5 x 20	M8		
RCL01025	3/4"	25 - 28	68.5	31	M6	1.5 x 20	M8		
RCL01032	1"	32 - 35	76	34.5	M6	1.5 x 20	M8		
RCL01040	1 1/4"	39 - 46	91.5	39	M6	1.5 x 20	M8		
RCL01050	1 1/2"	48 - 53	99	42.5	M6	1.5 x 20	M8		
RCL01063	2"	59 - 66	112	49	M6	1.5 x 20	M8		
RCL01075	2 1/2"	74 - 80	134	58	M6	2 x 25	M10		
RCL01089	3"	87 - 94	146.5	63.5	M6	2 x 25	M10		
RCL01110	4"	110 - 116	173	77	M6	2.5 x 25	M10		
RCL01141	5"	135 - 143	199	90	M6	2.5 x 25	M10		
RCL01160	6"	162 - 170	227	102.5	M6	2.5 x 25	M10		
RCL01200	8"	207 - 219	280.7	280.7	M6	2.5 x 25	M10		

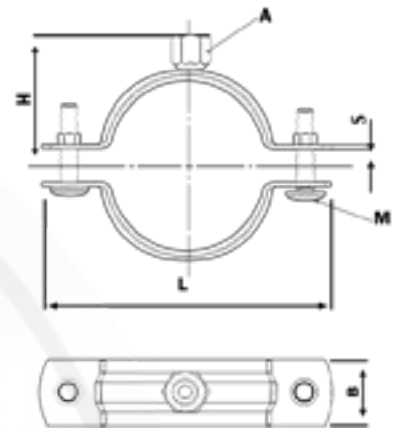
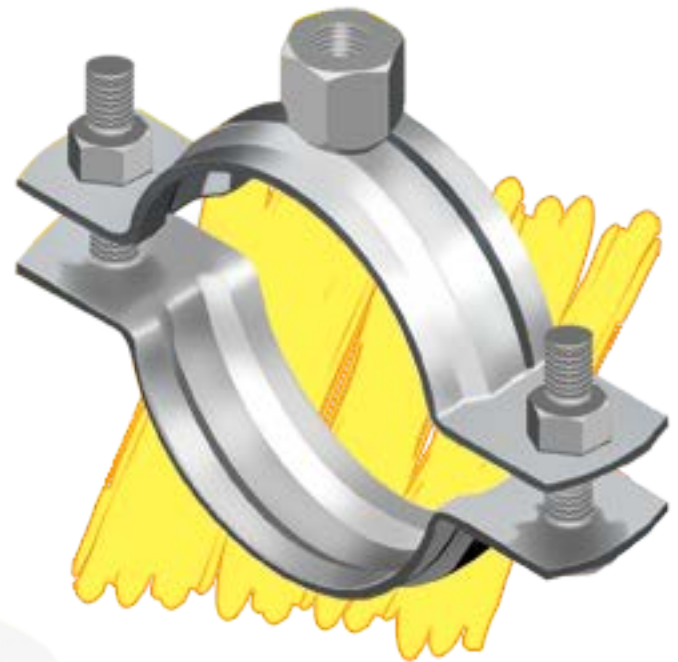




# Standard Pipe Clamp Without Rubber Profile

With Nut (M8 or M10)

- Used for hanging pipes to the walls ceilings and floors . (vertical/horizontal)
- Easy and safe assembly .
- Electro galvanized against corrosion protection (Plating thickness 8-10micron).
- Hanging Type is M8 or M10 Nut.



Size (Inch)	Breaking Load (KN)	Recommended Load (KN)
1/2" - 1"	3.90	1.30
1 1/4" - 2"	4.80	1.60
2 1/2" - 4"	6.90	2.30
6" - 8"	7.80	2.60

Code	Size (Inch)	Clamping Range (mm)	L (mm)	H (mm)	M	S x B (mm)	A	Quantity-Box	Weight-Box
RCL02020	1/2"	18 - 23	54.5	24	M6	1.5 x 20	M8		
RCL02025	3/4"	27 - 31	62.5	28	M6	1.5 x 20	M8		
RCL02032	1"	32 - 37	68.5	31	M6	1.5 x 20	M8		
RCL02040	1 1/4"	39 - 44	76	34.5	M6	1.5 x 20	M8		
RCL02050	1 1/2"	46 - 54	91.5	39	M6	1.5 x 20	M8		
RCL02063	2"	54 - 61	99	42.5	M6	1.5 x 20	M8		
RCL02075	2 1/2"	75 - 82	125	54	M6	2 x 25	M10		
RCL02089	3"	83 - 89	134	58	M6	2 x 25	M10		
RCL02110	4"	110 - 117	159.5	71.5	M6	2 x 25	M10		
RCL02141	5"	137 - 143	192	86.5	M6	2.5 x 25	M10		
RCL02160	6"	159 - 167	215	98	M6	2.5 x 25	M10		
RCL02200	8"	218 - 226	280.7	130	M6	2.5 x 25	M10		

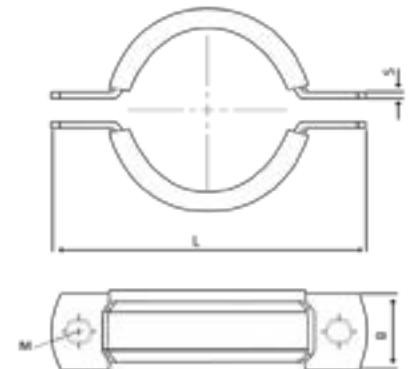


## Pipe Clamp With Rubber Profile (Without Nut)

- Used for hanging pipes to the walls ceilings and floors (vertical/horizontal).
- EPDM seal for .
  - Noise reduction level up to 15 dB according to DIN4109 .
  - Vibration reduction .
  - Partial compensation of thermal expansion .
- Easy and safe assembly .
- Assembly with threaded Rods and nut .
- Electro galvanized against corrosion protection (Plating thickness 8-10micron).



Size (Inch)	Breaking Load (KN)	Recommended Load (KN)
1/2" - 1"	7.8	2.75
1 1/4" - 2"	9.6	3.75
2 1/2" - 4"	15.6	6.00
5" - 8"	31.4	11.7



Code	Size (Inch)	Clamping Range (mm)	L (mm)	S x B (mm)	M	Quantity-Box	Weight-Box
RCL04020	1/2"	20 - 24	62.5	1.5 x 20	8		
RCL04025	3/4"	25 - 28	68.5	1.5 x 20	8		
RCL04032	1"	32 - 35	76	1.5 x 20	8		
RCL04040	1 1/4"	39 - 46	91.5	1.5 x 20	8		
RCL04050	1 1/2"	48 - 53	99	1.5 x 20	8		
RCL04063	2"	59 - 66	112	1.5 x 20	8		
RCL04075	2 1/2"	74 - 80	134	2 x 25	8		
RCL04089	3"	87 - 94	146.5	2 x 25	8		
RCL04110	4"	110 - 116	173	2 x 25	8		
RCL04141	5"	135 - 143	199	2.5 x 25	8		
RCL04160	6"	162 - 170	227	2.5 x 25	8		
RCL04200	8"	207 - 219	280.5	2.5 x 25	8		

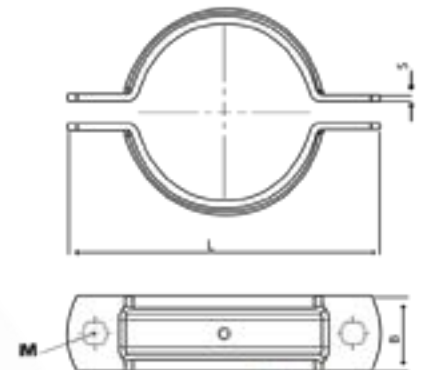


## Pipe Clamp Without Rubber Profile (Without Nut)

- Used for hanging pipes to the walls ceilings and floors (vertical/horizontal) .
- Easy and safe assembly .
- Assembly with threaded Rods and nut .
- Electro galvanized against corrosion protection (Plating thickness 8-10micron).



Size (Inch)	Breaking Load (KN)	Recommended Load (KN)
3/4" - 2"	7.8	2.75
2 1/2" - 4"	9.6	3.75
5" - 8"	15.6	6.00



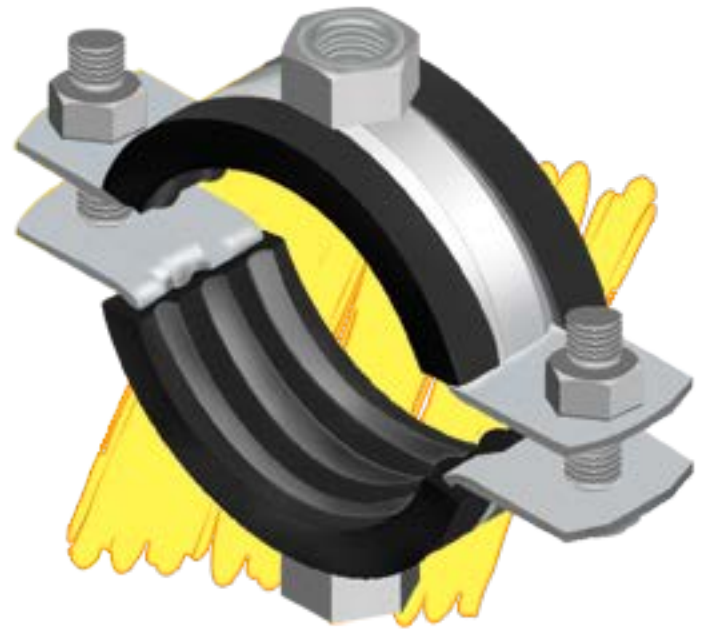
Code	Size (Inch)	Clamping Range (mm)	L (mm)	S x B (mm)	M	Quantity-Box	Weight-Box
RCL03025	3/4"	27 - 31	67.5	1.5 x 20	8		
RCL03032	1"	32 - 37	68.5	1.5 x 20	8		
RCL03040	1 1/4"	39 - 44	76	1.5 x 20	8		
RCL03050	1 1/2"	47 - 54	91.5	1.5 x 20	8		
RCL03063	2"	54 - 61	99	1.5 x 20	8		
RCL03075	2 1/2"	75 - 82	125	2 x 25	8		
RCL03089	3"	83 - 89	134	2 x 25	8		
RCL03110	4"	110 - 117	159.5	2 x 25	8		
RCL03141	5"	137 - 143	192	2.5 x 25	8		
RCL03160	6"	159 - 167	215	2.5 x 25	8		
RCL03200	8"	218 - 226	280.5	2.5 x 25	8		



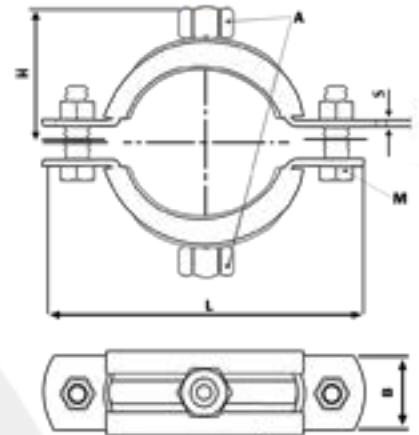


## Standard Pipe Clamp With Rubber Profile (Double Hanging Nut)

- Used for hanging pipes to the walls ceilings and floors (vertical/horizontal).
- EPDM seal for .
  - Noise reduction level up to 15 dB according to DIN4109 .
  - Vibration reduction .
  - Partial compensation of thermal expansion .
- Easy and safe assembly .
- Double hanging nut used to assembly parallel horizontal pipe
- Electro galvanized against corrosion protection (Plating thickness 8-10micron).
- Hanging Type is M8 or M10 Nut.



Size (Inch)	Breaking Load (KN)	Recommended Load (KN)
1/2" - 2"	3.9	2.75
2 1/2" - 4"	4.8	3.75
5" - 6"	7.8	6.00



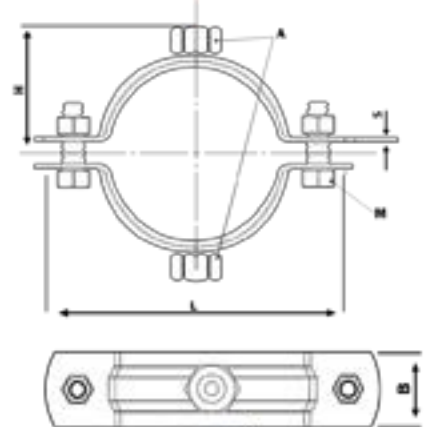
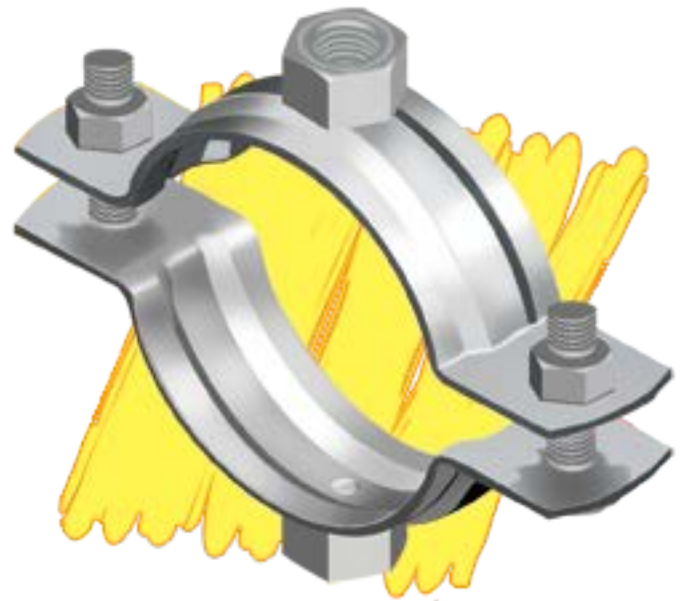
Code	Size (Inch)	Clamping Range (mm)	L (mm)	H (mm)	M	S x B (mm)	A	Quantity-Box	Weight-Box
RCL05020	1/2"	20 - 24	62.5	32	M6	1.5 x 20	M8		
RCL05025	3/4"	25 - 28	68.5	35	M6	1.5 x 20	M8		
RCL05032	1"	32 - 35	76	39	M6	1.5 x 20	M8		
RCL05040	1 1/4"	39 - 46	91.5	43	M6	1.5 x 20	M8		
RCL05050	1 1/2"	48 - 53	99	47	M6	1.5 x 20	M8		
RCL05063	2"	59 - 66	112	53	M6	1.5 x 20	M8		
RCL05075	2 1/2"	74 - 80	134	62	M6	2 x 25	M10		
RCL05089	3"	87 - 94	140.5	67.5	M6	2 x 25	M10		
RCL05110	4"	110 - 116	173	80	M6	2.5 x 25	M10		
RCL05141	5"	135 - 143	199	99	M6	2.5 x 25	M10		
RCL05160	6"	162 - 170	277	106.5	M6	2.5 x 25	M10		





## Standard Pipe Clamp Without Rubber Profile (Double Hanging Nut)

- Used for hanging pipes to the walls ceilings and floors (vertical/horizontal) .
- Easy and safe assembly .
- Double hanging nut used to assembly parallel horizontal pipe
- Electro galvanized against corrosion protection (Plating thickness 8-10micron).
- Hanging Type is M8 or M10 Nut.



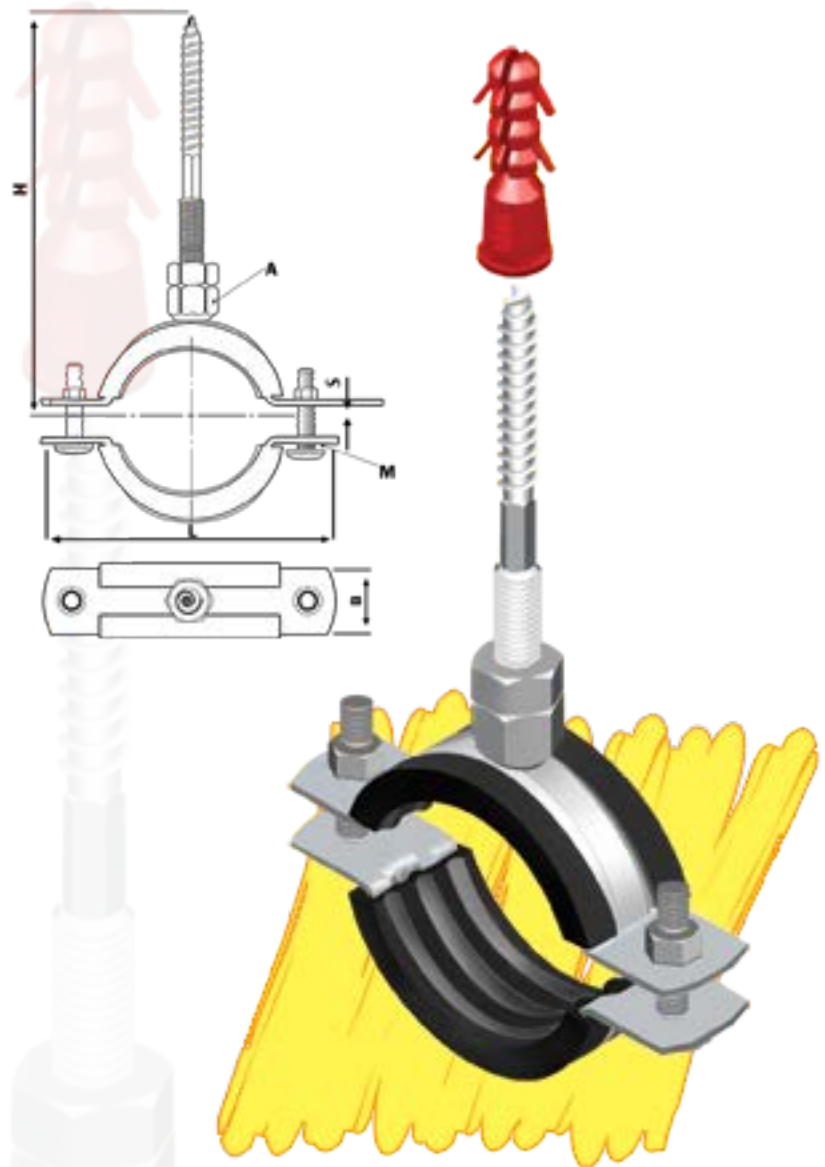
Size (Inch)	Breaking Load (KN)	Recommended Load (KN)
3/4" - 2"	3.9	2.75
2 1/2" - 4"	4.8	3.75
5" - 6"	7.8	6.00

Code	Size (Inch)	Clamping Range (mm)	L (mm)	H (mm)	M	S x B (mm)	A	Quantity-Box	Weight-Box
RCL06025	3/4"	27 - 31	62.5	28	M6	1.5 x 20	M8		
RCL06032	1"	32 - 37	68.5	31	M6	1.5 x 20	M8		
RCL06040	1 1/4"	39 - 44	76	34.5	M6	1.5 x 20	M8		
RCL06050	1 1/2"	46 - 54	91.5	39	M6	1.5 x 20	M8		
RCL06063	2"	54 - 61	99	42.5	M6	1.5 x 20	M8		
RCL06075	2 1/2"	75 - 82	125	54	M6	2 x 25	M10		
RCL06089	3"	83 - 89	134	58	M6	2 x 25	M10		
RCL06110	4"	110 - 117	159.5	71.5	M6	2.5 x 25	M10		
RCL06141	5"	137 - 143	192	86.5	M6	2.5 x 25	M10		
RCL06160	6"	159 - 187	215	98	M6	2.5 x 25	M10		



**Standard Pipe Clamp With Rubber Profile & Bolt Screw and Plastic Anchor**

- Used for hanging pipes to the walls ceilings and floors (vertical/horizontal).
- EPDM seal for .
  - Noise reduction level up to 15 dB according to DIN4109 .
  - Vibration reduction .
  - Partial compensation of thermal expansion .
- Easy and safe assembly .
- Electro galvanized against corrosion protection (Plating thickness 8-10micron).
- Hanging Type is M8 x 80 or M10 x 100 .



Size (Inch)	Breaking Load (KN)	Recommended Load (KN)
1/2" - 1"	3.90	1.30
1 1/4" - 2"	4.80	1.60
2 1/2" - 4"	6.90	2.30

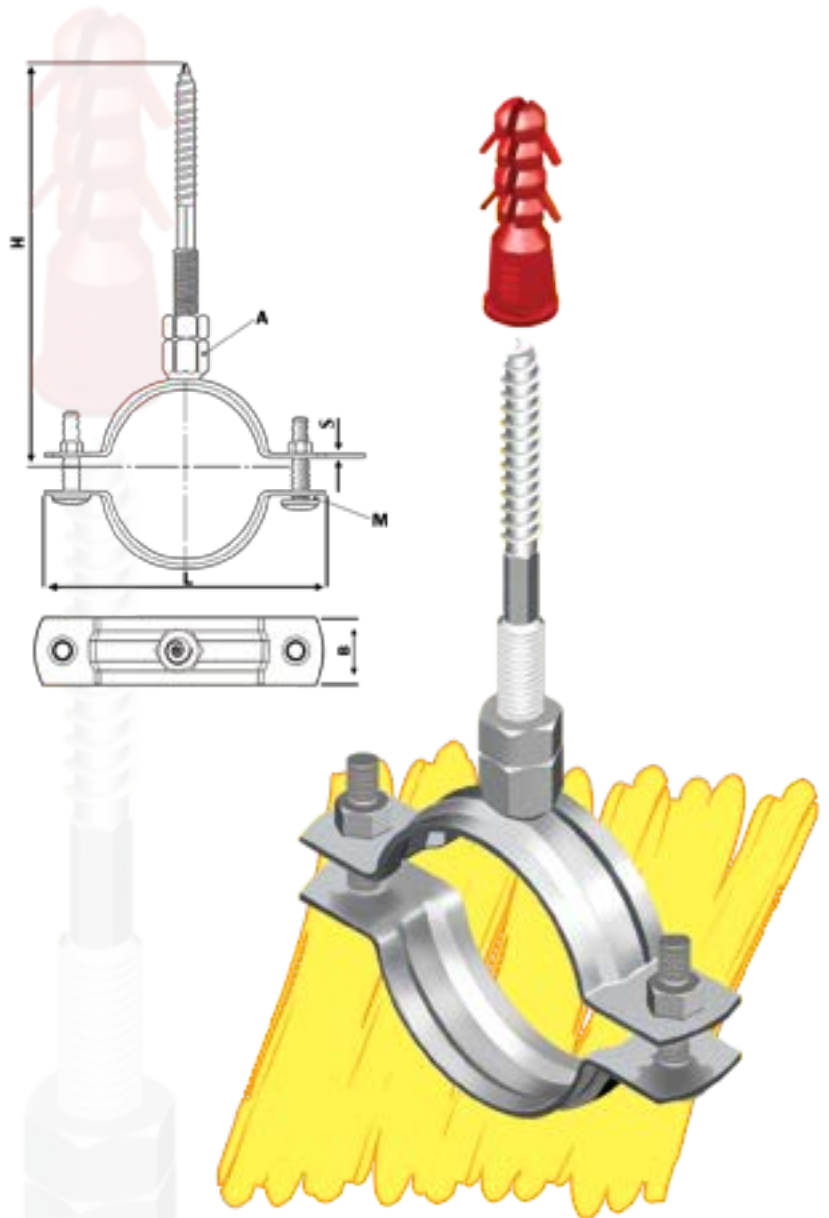
Code	Size (Inch)	Clamping Range (mm)	L (mm)	H (mm)	Ød	S x B (mm)	M	Bolt Screw	A	Quantity-Box	Weight-Box
RCL07020	1/2"	20 - 24	62.5	98	10	1.5 x 20	M6	M8 x 80	M8		
RCL07025	3/4"	25 - 28	68.5	101	10	1.5 x 20	M6	M8 x 80	M8		
RCL07032	1"	32 - 35	76	104.5	10	1.5 x 20	M6	M8 x 80	M8		
RCL07040	1 1/4"	39 - 46	91.5	109	10	1.5 x 20	M6	M8 x 80	M8		
RCL07050	1 1/2"	48 - 53	99	112.5	10	1.5 x 20	M6	M8 x 80	M8		
RCL07063	2"	59 - 66	112	119	10	1.5 x 20	M6	M8 x 80	M8		
RCL07075	2 1/2"	74 - 80	134	148	12	2 x 25	M6	M10 x 100	M10		
RCL07089	3"	87 - 94	146.5	157.5	12	2 x 25	M6	M10 x 100	M10		
RCL07110	4"	110 - 116	173	170	12	2.5 x 25	M6	M10 x 100	M10		





## Standard Pipe Clamp Without Rubber Profile & Bolt Screw and Plastic Anchor

- Used for hanging pipes to the walls ceilings and floors (vertical/horizontal) .
- Easy and safe assembly .
- Electro galvanized against corrosion protection (Plating thickness 8-10micron).
- Hanging Type is M8 x 80 or M10 x 100 .



Size (Inch)	Breaking Load (KN)	Recommended Load (KN)
1/2" - 1 1/4"	3.90	1.30
1 1/2" - 2"	4.80	1.60
2 1/2" - 4"	6.90	2.30

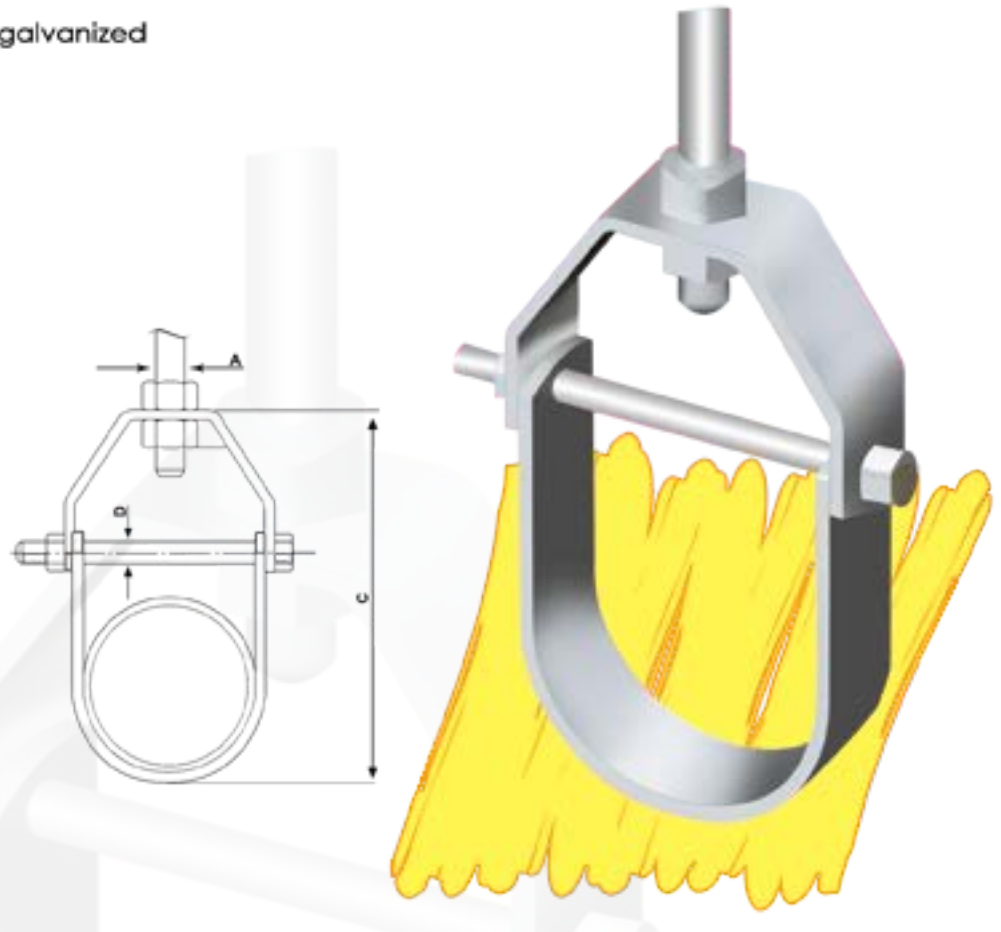
Code	Size (Inch)	Clamping Range (mm)	L (mm)	H (mm)	∅d	S x B (mm)	M	Bolt Screw	A	Quantity-Box	Weight-Box
RCL08020	1/2"	18 - 23	54.5	94	10	1.5 x 20	M6	M8 x 80	M8		
RCL08025	3/4"	27 - 31	62.5	98	10	1.5 x 20	M6	M8 x 80	M8		
RCL08032	1"	32 - 37	68.5	101	10	1.5 x 20	M6	M8 x 80	M8		
RCL08040	1 1/4"	39 - 44	76	104.5	10	1.5 x 20	M6	M8 x 80	M8		
RCL08050	1 1/2"	46 - 54	91.5	109	10	1.5 x 20	M6	M8 x 80	M8		
RCL08063	2"	54 - 61	99	112.5	10	1.5 x 20	M6	M8 x 80	M8		
RCL08075	2 1/2"	75 - 82	125	144	12	2 x 25	M6	M10 x 100	M10		
RCL08089	3"	83 - 89	134	148	12	2 x 25	M6	M10 x 100	M10		
RCL08110	4"	110 - 117	159.5	188	12	2.5 x 25	M6	M10 x 100	M10		





# Standard Clevis Hanger

- Used for hanging heavy pipes as steel pipes , duct pipes .
- Used Galvanized steel or Electro galvanized ( 8 - 10 micron ) .
- Easy and safe assembly .



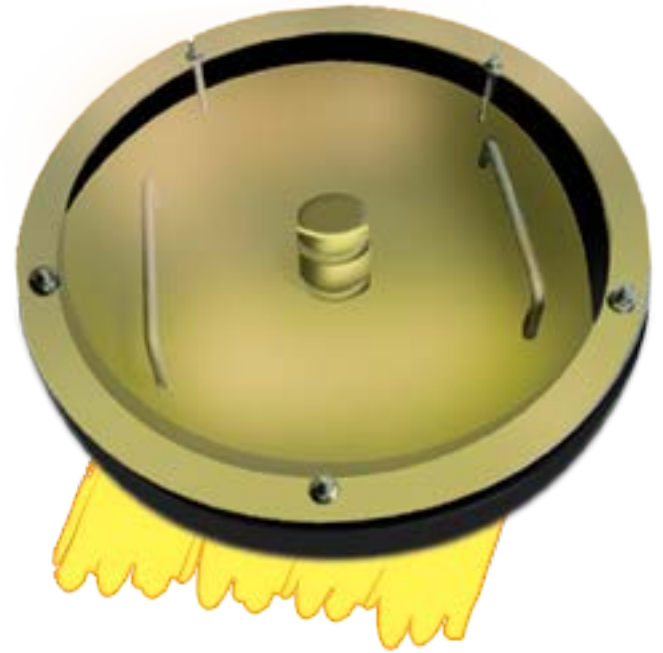
Code	Size (Inch)	Size of steel Upper	Size of steel Down	A	C	D	Quantity-Box	Weight-Box
RCH0033	1"	2.5 x 25	2.5 x 25	10	95	6 x 60		
RCH0040	1 1/4"	2.5 x 25	2.5 x 25	10	99	6 x 70		
RCH0050	1 1/2"	2.5 x 25	2.5 x 25	10	108	6 x 80		
RCH0063	2"	3 x 25	3 x 25	10	125	6 x 90		
RCH0075	2 1/2"	3 x 32	3 x 32	14	153	8 x 110		
RCH0089	3"	3 x 32	3 x 32	14	163	8 x 120		
RCH0114	4"	3 x 32	3 x 32	16	210	10 x 160		
RCH0141	5"	4 x 40	4 x 40	16	230	10 x 180		
RCH0168	6"	4 x 40	4 x 40	16	275	12 x 220		





## Standard Steel Test Plugs - Single Seal

- Used for testing water pipe lines .
- Rubber Seal Standard type or chemical resistant.
- Pressure Plate are made of Steel pressing.
- All materials are zinc plated corrosion resistant.



Code	Size (mm)	Min fit pipe size (mm)	Max fit pipe size (mm)	Max Back Pressure (PSI)	Water Way (mm)	Weight of Plug Gr
TPH010042	40	36	52	30	15	170
TPH010048	50	50	63	30	15	200
TPH010060	65	61	82	30	15	240
TPH010073	75	73	92	20	15	280
TPH010089	90	85	102	15	15	300
TPH010114	100	94	110	10	15	350
TPH010141	125	126	142	10	15	525
TPH010168	150	141	165	10	15	685
TPH010219	200	190	215	7	25	1400
TPH010273	250	241	270	7	25	2250
TPH010323	300	295	325	7	25	3800
TPH010350	350	344	388	5	25	6700